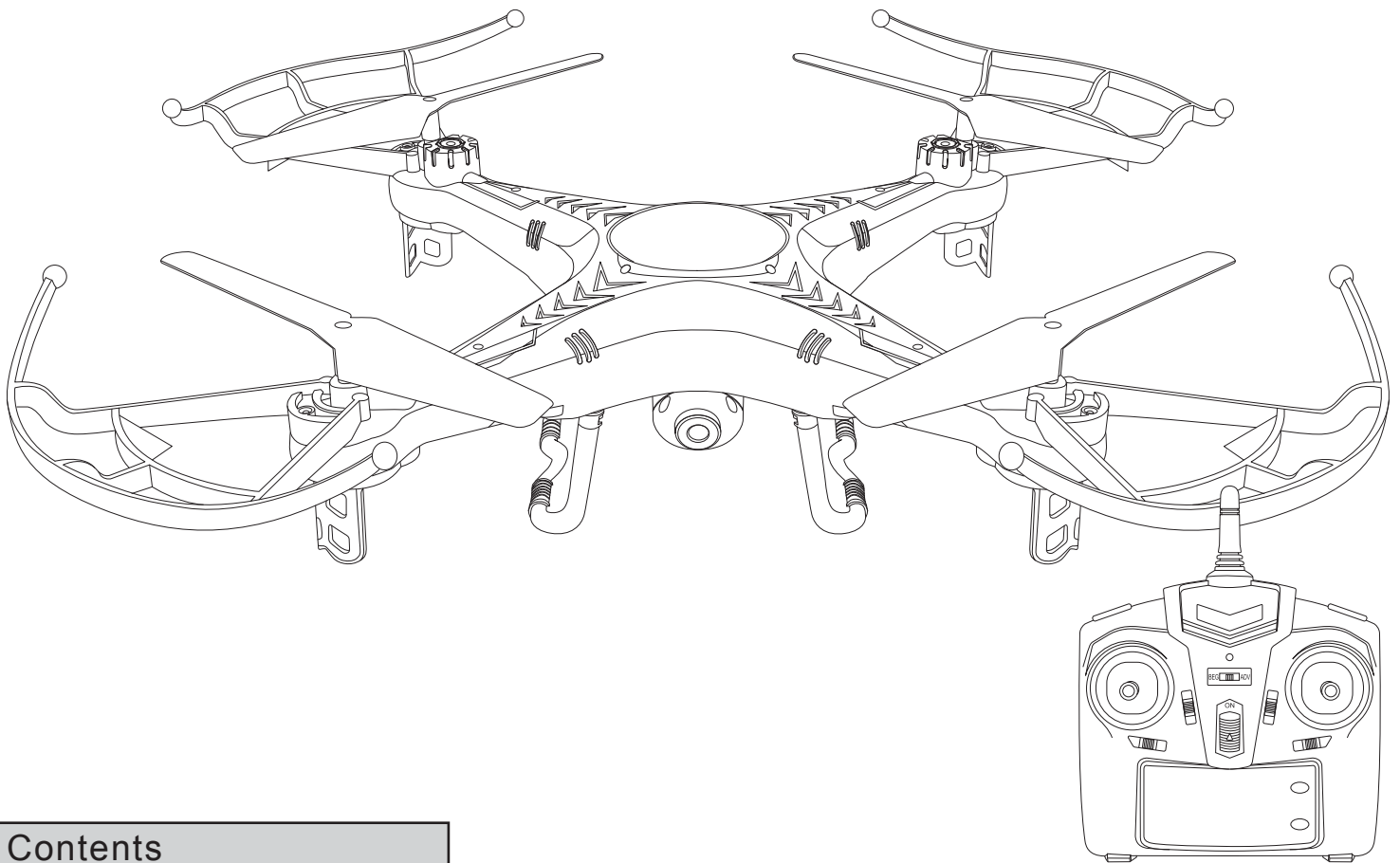


QUADRODRONE TUMBLER

INSTRUCTION MANUAL



Contents

1	INTRODUCTION
1-2	SAFETY NOTES
3	GENERAL PACKAGE CONTENTS
4	DRONE DIAGRAM
5	REMOTE CONTROLLER DIAGRAM
6	REMOTE BATTERY INSTALLATION
7	CHARGING THE LI-PO BATTERY
8	SYNCING THE DRONE TO THE REMOTE CONTROLLER
9	FLIGHT ADJUSTMENT AND SETTING
10	TROUBLESHOOTING
11	PARTS LIST

Please read through this manual before flying this product.
Please keep this manual for future reference.

Tested to comply with FCC standards.
FOR HOME OR OFFICE USE.
This device complies with part 15 of the FCC Rules. Operation is subject to the following two conditions:
(1) This device may not cause harmful interference and
(2) This device must accept any interference received, including interference that may cause undesired operation.

PROP 65 WARNING
WARNING: This product may contain a chemical known to the State of California to cause cancer, or birth defects, or other reproductive harm.

WARNING:
CHOKING HAZARD—Small parts.
Not for children under 3 years.

Manufactured in China.
Batch Ref: XXXX
Model Number: XXXX

1. INTRODUCTION

- This product is NOT A TOY. Incorrect use can cause damage or injury. Please use this product according to this manual. And please do not disassemble this product by yourself.
- This flying model requires practice before use. Manufacturer shall not be responsible to any damage of the product or injury to any person.

2. SAFETY NOTES



Fly only in safe areas away from other people. Do not operate R/C aircraft within the vicinity of crowds or people. R/C aircrafts are prone to accidents, failures, and radio interference. Pilots are responsible for their actions and damage or injury occurred during the operation or as of a result of R/C aircraft models.



Special design for indoor & outdoor, please keep it away from obstacles

This product is suitable for indoor and outdoor use, please choose a place without obstacle, and keep distance from crowd and pets. Don't fly it near unsafe areas, for instance, a heat source or power lines in order to avoid damage by collision landing, entanglement and leading to a fire, electric shock and cause of loss of lives and property.

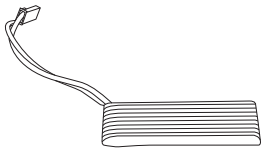


Obtain the assistance of an experienced pilot

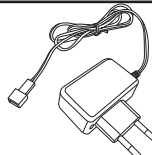
The products are suitable for more than 14 years old age. At the beginning, it will be difficult to learn to fly. Seek the guidance of an experienced pilot to learn faster.



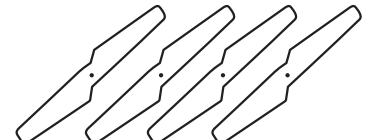
3. GENERAL PACKAGE CONTENTS



Li-Polymer battery

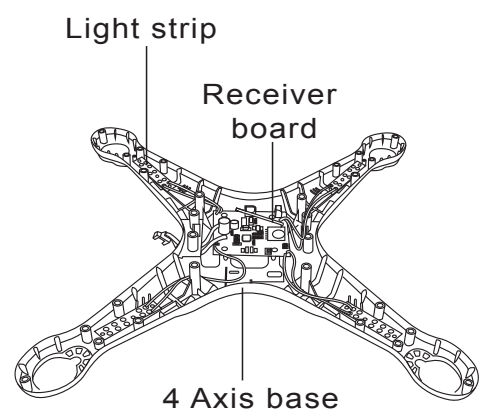
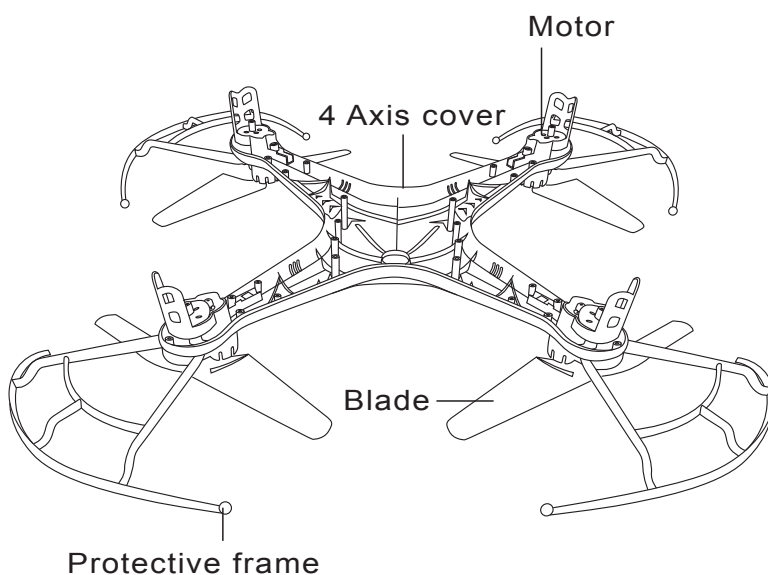


Charger



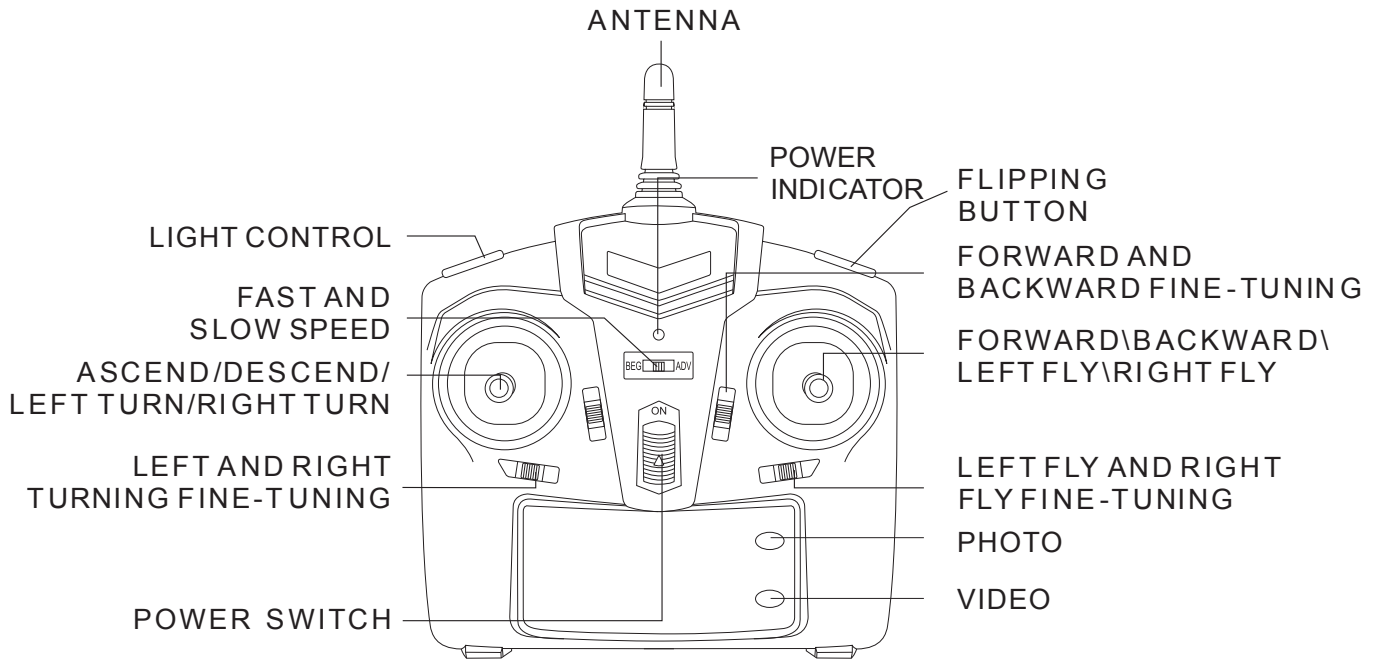
Blade x 4

4. DRONE DIAGRAM



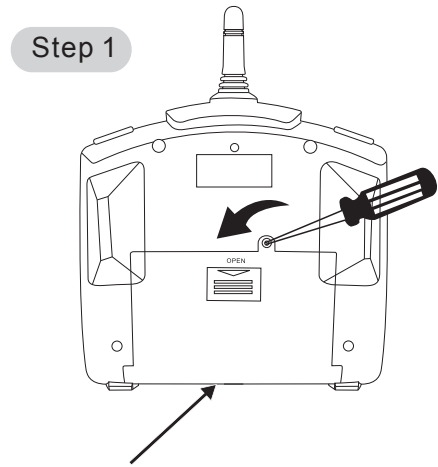
5. REMOTE CONTROLLER DIAGRAM

DO NOT DISASSEMBLE

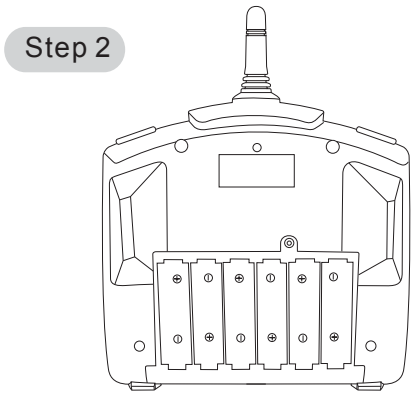


6. REMOTE BATTERY INSTALLATION

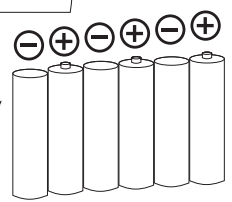
DO NOT DISASSEMBLE



Open the battery cover on the back of the controller.



Put in 6 AA batteries. Please follow by the right "+" and "-" sign, as the picture shown.



7. CHARGING THE LI-PO BATTERY

Use the charger provided to charge the battery.





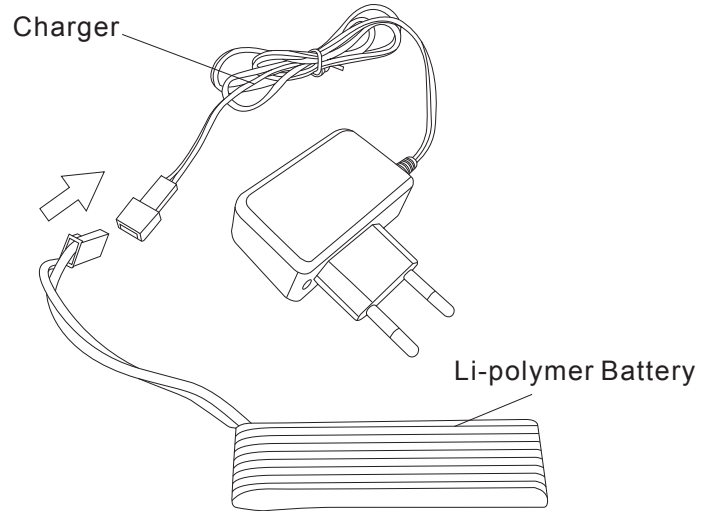
Please use the charger included in the package only. Connect the charger and the battery as the picture shown.



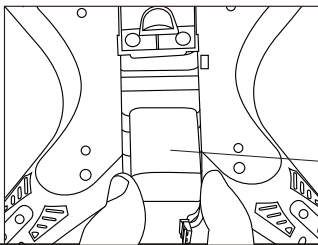
For safety concerns, battery must be charged under adult supervision at all times.

LED Indicator

Green light 	Red light 
Battery is fully charged	Battery is charging



8. SYNCING THE DRONE TO THE REMOTE CONTROLLER



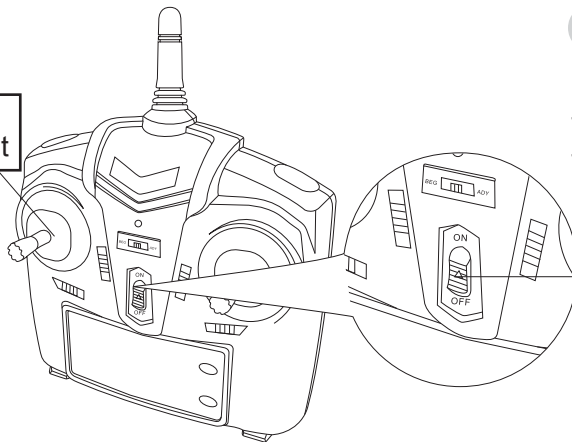
Li-polymer Battery

Step 1

Install the battery into the drone as the Picture shown. Then place the aircraft on A flat surface. Connect the battery to The drone. The drone will turn on.



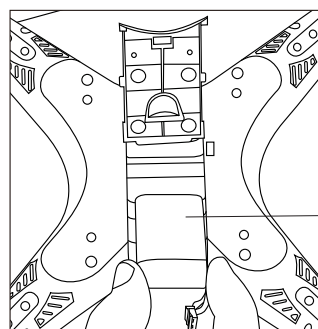
The throttle stick to lowest point



ON/OFF

Step 2

Lower the throttle stick to the lowest position then turn on the remote controller. Wait unit the indicator stops flashing. Your drone is now ready to fly.



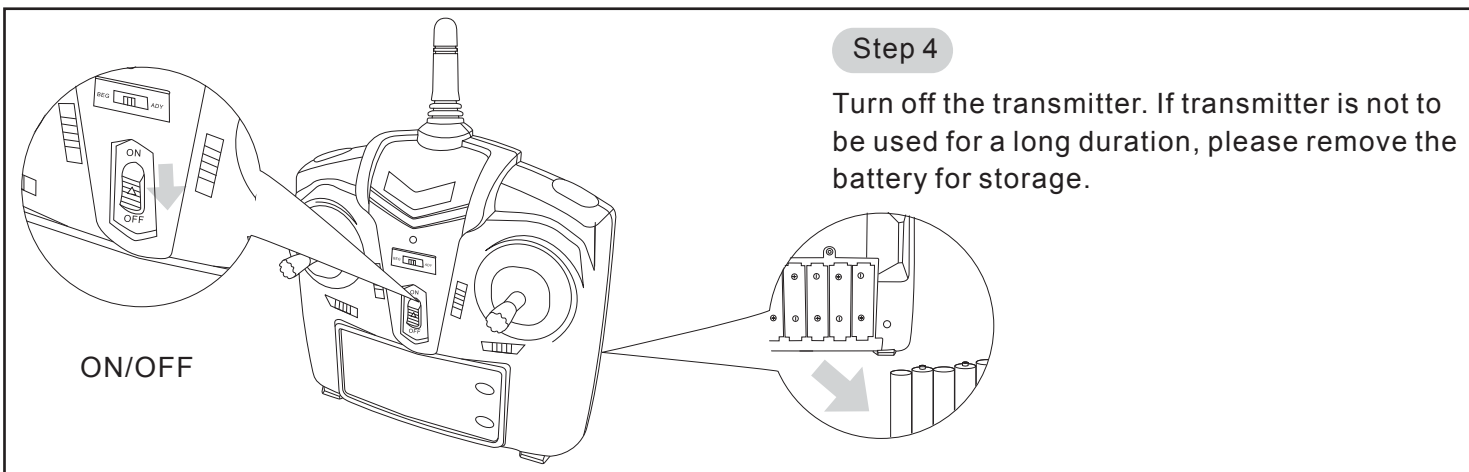
Li-polymer Battery

Step 3

Please disconnect the battery from the drone, when finished with use.



Please always disconnect the battery, in order to protect the battery from damage and to have a longer battery live.



9. FLIGHT ADJUSTMENT AND SETTING

It is important to practice maneuvers before flying your drone.

Before flying:

Please practice the following moves shown in the below pictures until you get used to using the remote controller.

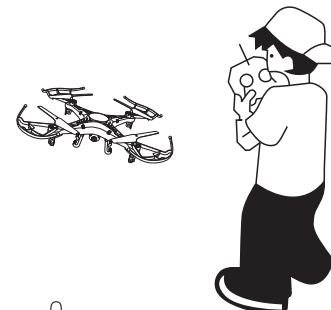
1. Bring the drone to an open space, standing aligned with the back of the drone.
2. Practice each exercise of the remote control as shown below, and repeat practice of throttle up/down, sideways left/right, forward/backward, and turn left/right moves.
3. Flight simulation exercises are very important, please repeat the exercises until you feel comfortable flying your drone flawlessly.



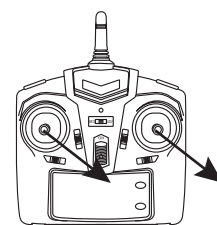
Mode	Illustration	Mode	Illustration
Sideways Left/Right	 Move left → → → Move right	Up/Down	 Up ↑ Down ↓
Forward/Backward	 Fly forward ↑ Fly backward ↓	Turn Left/Right	 Turn left ↺ Turn right ↻



- Make sure that no people or obstructions are in the area. You must first practice hovering for flying safety. This is a basic flight action.
- Hovering means keeping the flight vehicle in mid air in a fixed position.
- Please stand approximately 5 ft diagonally being the flight vehicle.



To quickly fine tune and calibrate the drone, place it on a flat surface. Lower the joysticks to the lower right corner. Hold this position until the drone finishes flash continuously. The drone is now fine tuned.

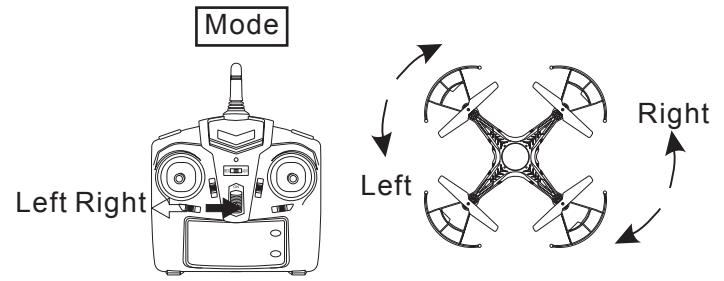


Fine Tuning

Slowly raise the throttle stick and just as the helicopter lift-off the ground, you can use the trim to correct the action if the drone leans in a different direction.

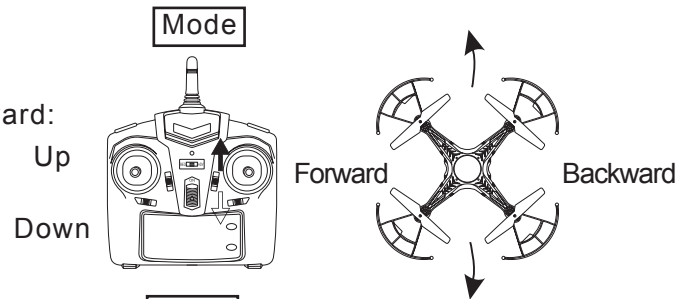
1. ADJUSTMENT OF TURNING TRIM

Just before the drone lifts-off, the nose lean left/right:
When leaning right, adjust the trim to left side.
When leaning left, adjust the trim to right side.



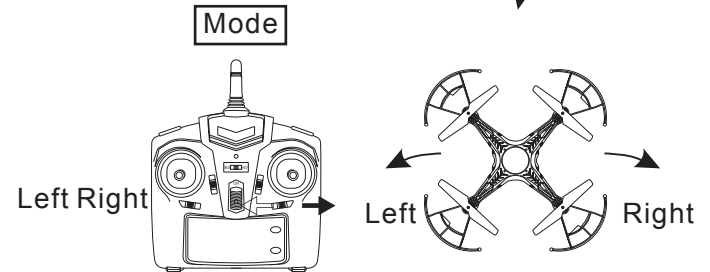
2. ADJUSTMENT OF FORWARD/BACKWARD TRIM

Just before the drone lifts-off, the nose lean forward/backward:
When leaning forward, adjust the trim to down.
When leaning backward, adjust the trim to up.



3. ADJUSTMENT OF SIDEWAYS TRIM

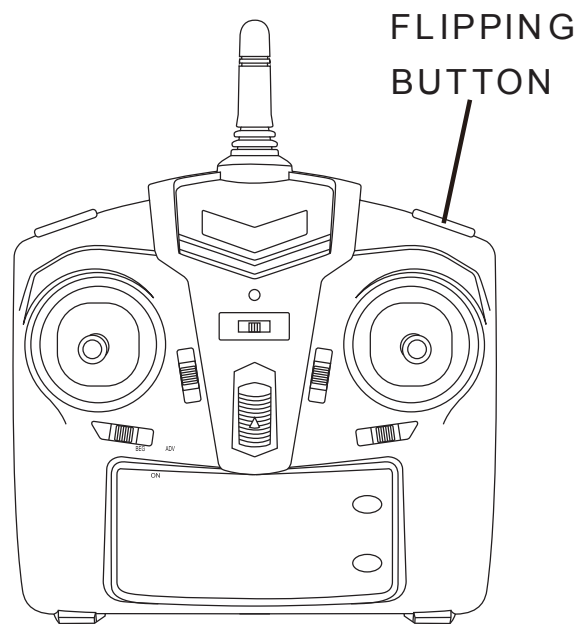
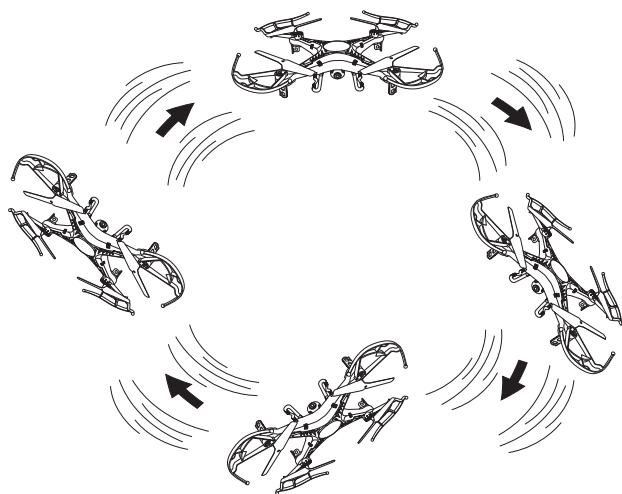
Just before the drone lifts-off, the body lean left/right:
When leaning right, adjust the trim to left side.
When leaning left, adjust the trim to right side.



Flipping Function:

Simple flipping operation

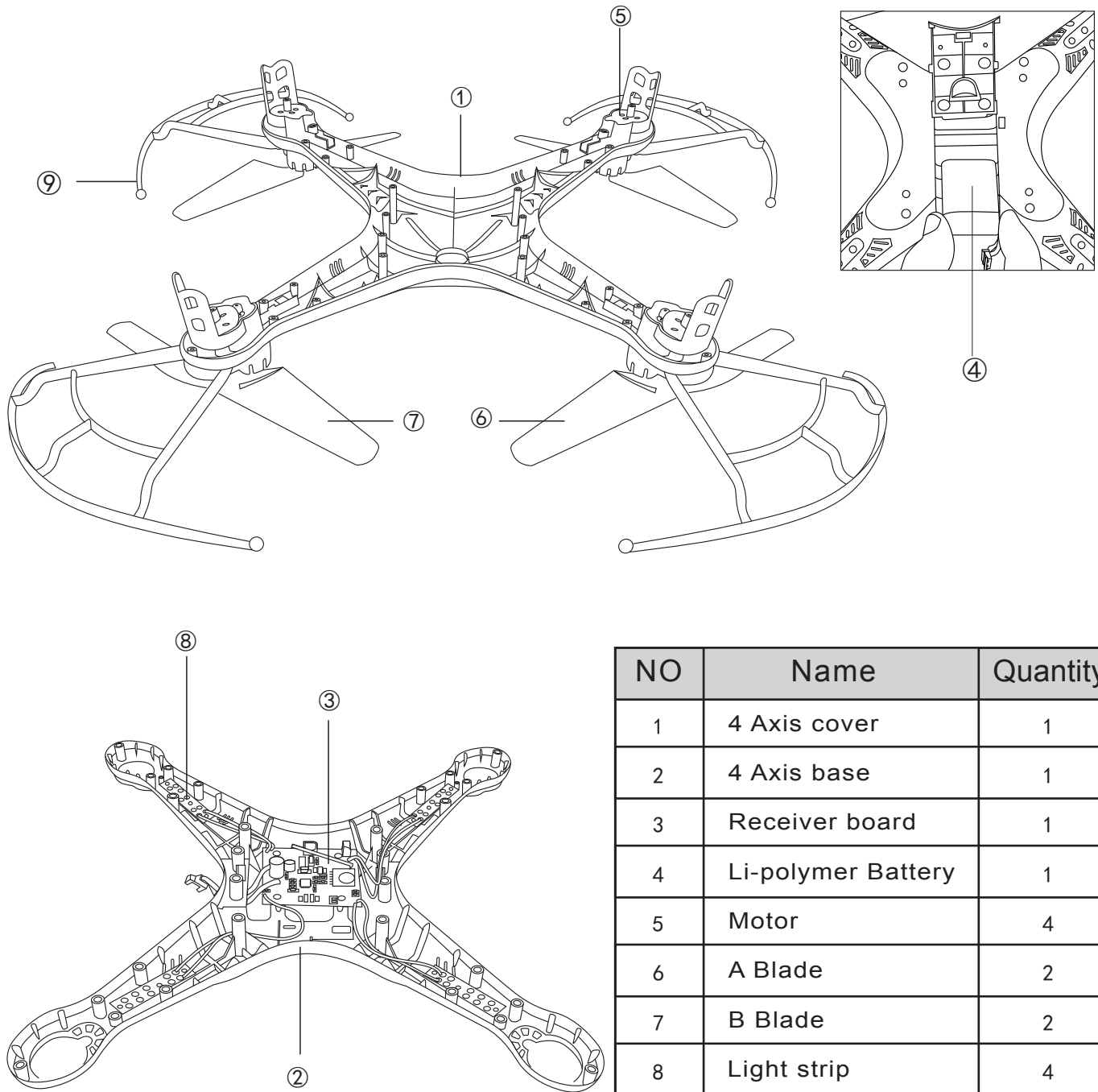
Press the button and then roll the joystick 1-3 times in any direction and aircraft will roll 1-3 times.



10. TROUBLESHOOTING

	Problem	Cause	Solution
1	LED blinks continuously after flight vehicle battery inserted. No response to controller.	Unable to sync to transmitter.	Repeat the power up initializing process.
2	No response after battery is connected to drone.	<ol style="list-style-type: none"> 1. No power to drone 2. Low battery power 3. Poor contact on battery terminals. 	<ol style="list-style-type: none"> 1. Turn on remote and ensure drone battery is inserted properly. 2. Use fully charged batteries. 3. Re-seat the battery and ensure good contact between battery contacts.
3	Motor does not respond to throttle stick, receiver LED flashes.	Drone battery depleted.	Fully charge the battery, or replace with a fully charged battery.
4	Main rotor spins but unable to take off.	<ol style="list-style-type: none"> 1. Deformed main blades. 2. Drone battery depleted 	<ol style="list-style-type: none"> 1. Replace main blades 2. Charge or replace with fully charged battery.
5	Drone violently shakes.	1. Deformed main blades	1. Replace main blades
6	Tail still off trim after fine tuning, or inconsistent speed during left/right flight.	<ol style="list-style-type: none"> 1. Damaged tail rotors 2. Damaged tail drive motor 	<ol style="list-style-type: none"> 1. Replace main blades 2. Replace the main motor
7	Drone still wanders forward after trim adjustment during hover.	1. Gyroscope not balanced	1. Place on flat surface and reboot
8	Flight vehicle still wanders left/right after trim adjustment during hover.	<ol style="list-style-type: none"> 1. Motor off 2. Cone loose 	<ol style="list-style-type: none"> 1. Replace the motor 2. Tighten cone

11. PARTS LIST



NO	Name	Quantity
1	4 Axis cover	1
2	4 Axis base	1
3	Receiver board	1
4	Li-polymer Battery	1
5	Motor	4
6	A Blade	2
7	B Blade	2
8	Light strip	4
9	Protective frame	1

AWW INDUSTRIES™ is an innovative division of DGL Group, Ltd.
Other trademarks and trade names are those of their respective owners.



BATTERY WARNING:

- Do not mix alkaline, standard (carbon zinc), rechargeable (nickel hydride) batteries.
- Do not mix old and new batteries.
- Non-rechargeable batteries should not be recharged.
- Rechargeable batteries should be removed from the appliance before being charged.
- Rechargeable batteries should be charged under adult supervision only.
- Exhausted batteries should be removed.
- The supply terminals should not be short-circuited.
- Only batteries of the same or equivalent type are recommended to be used.
- Batteries should be inserted with the correct polarity.

Specifications, colors and contents may vary from illustrations.

Operates on 6x AA batteries (not included)

Please retain this package for future use.

Conforms to safety requirements of ASTM, FCC, & CPSIA.

AWW INDUSTRIES,
195 Raritan Center Parkway, Edison, NJ 08837.